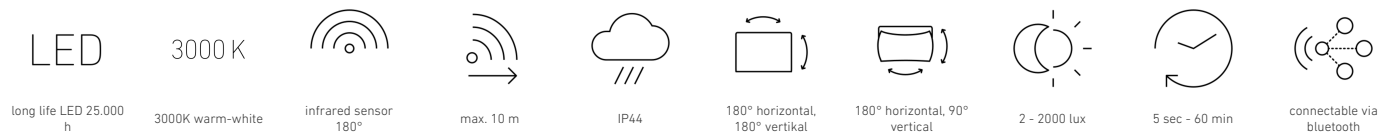


Sensor-switched LED floodlight

XLED home 2 SC

white
EAN 4007841 065454
Article number 065454



Function description

Top seller. Now even better. Sensor-switched outdoor floodlight XLED home 2 SC for even greater security and wireless control via Bluetooth and via app. Fully swivelling LED panel in classy opal look. For the most exacting of demands on design and maximum lighting convenience. 1550 lm from a power consumption of just 13,8 W. Swivelling precision IR sensor (horizontally: 180°, vertically: 90°). 180° angle of coverage, 10 m reach. High thermal conductivity magnesium composite cooling system (HCMC).

Technical specifications

Dimensions (L x W x H)	161 x 180 x 218 mm	Reach, tangential	r = 10 m (157 m ²)
With lamp	Yes, STEINEL LED system	Photo-cell controller	Yes
With motion detector	Yes	Luminous flux total product	1550 lm
Manufacturer's Warranty	5 years	Measured luminous flux (360°)	1550 lm
Settings via	Bluetooth	Colour temperature	3000 K
Version	white	Colour variation LED	SDCM3
PU1, EAN	4007841065454	Lamp	LED cannot be replaced
Application, place	Outdoors	LED cooling system	HCMC (High Conductive Magnesium Composite)
Application, room	outdoors, all round the building, terrace / balcony, courtyard & driveway	Soft light start	No
Colour	white	Continuous light	selectable
Includes corner wall mount	No	Functions	Group parameterisation, Manual ON / ON-OFF, Neighbouring group function, Master/slave override, Night economy mode, Timer
Installation site	wall, corner	Twilight setting	2 – 2000 lx
Installation	Surface wiring, corner, Wall	Time setting	5 s – 60 Min.
Impact resistance	IK03	Basic light level function	No
IP-rating	IP44		

<https://www.steinell.de>

Subject to technical modifications

05.2025 Page 1 from 3

Sensor-switched LED floodlight

XLED home 2 SC

white
EAN 4007841 065454
Article number 065454



Technical specifications

Protection class	II	Twilight setting TEACH	Yes
Ambient temperature	from -20 up to 40 °C	Interconnection	Yes
Housing material	HCMC	Type of interconnection	Master/master, Master/slave
Cover material	Plastic, opal	Interconnection via	Bluetooth
Mains power supply	220 – 240 V / 50 – 60 Hz	Output	13,8 W
Mounting height max.	4,00 m	Colour Rendering Index CRI	= 82
Sneak-by guard	Yes	Optimum mounting height	2 m
Capability of masking out individual segments	Yes	Detection angle	180 °
Reach, radial	r = 5 m (39 m ²)	Product category	Sensor-switched LED floodlight
		Energieeffizienzklasse Lichtquelle	E

Accessories

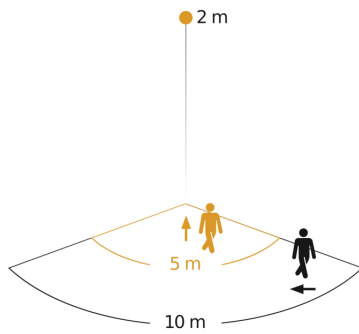
EAN 4007841 088620	Wireless pushbutton TapDuo C
EAN 4007841 055875	Corner wall mount XLED home 2/ PRO 240
EAN 4007841 053086	Corner wall mount XLED Home 2/ Pro 240
EAN 4007841 055615	Corner wall mount XLED home 2/ PRO 240

XLED home 2 SC

white
 EAN 4007841 065454
 Article number 065454

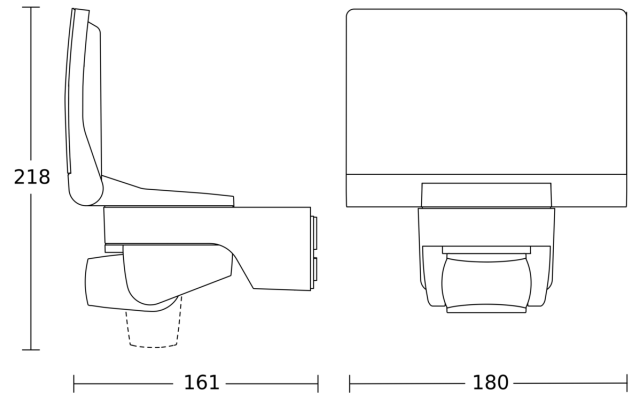


Detection Zone

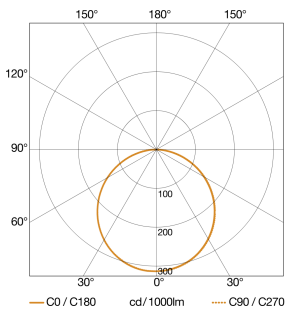


Possible mounting height: 1,80 m - 4,00 m
 Orange: radial
 Black: tangential

Dimension Drawing



Light Distribution Curve



Output	13,8 W
With lamp	Yes, STEINEL LED system
Lamp	LED cannot be replaced
Measured luminous flux (360°)	1550 lm
Colour temperature	3000 K
Colour Rendering Index	80-89
LED cooling system	HCMC (High Conductive Magnesium Composite)

Master/master interconnection circuit diagram

